



## GENERAL SPECIFICATION

### Product Overview:

The optimally designed diffuser throws the light down where you need it, whilst creating a subtle glow on the ceiling. Ideally suited for atriums, lobbies, boardrooms and reception areas.

**Body:** Aluminum and steel.

**Diffuser:** Opal acrylic.

**Drivers:** HPF electronic for 120-277V (EU-240V)

**Remote mounting of drivers:** Wire Size (max distance from canopy to drivers) 18 AWG - 9.5' (2.9m), 16 AWG - 19.5' (5.9m), 14 AWG - 29.5' (9m). Drivers must be accessible after installation.

**Remote emergency:** Emergency option provides a 1.5 hour (3 hours for EU) emergency lighting facility. The remote system includes the inverter module, NiCad batteries and a remote wall/ceiling LED charge indicator and test switch (NA only) Maximum distance between wall/ceiling plate and luminaire is 25' (7.6m). Test switch fits a single gang box (not supplied).

**L70 @25°C:** > 50,000 hrs.

**Delivered lumens:** Delivered lumens & LPW based on 4000K, CRI 80+

**Approvals:** Damp Location (Indoor use only).



Suspended Direct

## HOW TO ORDER

## A SPECIFY LUMINAIRE

Code	Square (A)	Max Wattage	Down/Up Ratio	Max Delivered lms	Max LPW
FTQP1P04	48"	158W	80/20	10800	78

## Additional Information

All data shown at max output and nominal values.

## B SPECIFY LUMENS

KMA54	5400
LMA108	10800

## C SPECIFY CRI

CR80	CRI 80+
------	---------

## D SPECIFY CCT

CTA30	3000K
CTA35	3500K
CTA40	4000K

## E SPECIFY VOLTAGE

V1	120/277V
V2	240V <sup>1</sup>
V3	347V <sup>2</sup>

## Additional Information

<sup>1</sup> Not available in North America

<sup>2</sup> Only available with DA01 dimming

## F SPECIFY DIMMING (REMOTE ONLY)

DA01	0-10V Dimming 1.0%
DA02	0-10V Dimming 0.1%
DA20	DALI Dimming 0.1%
DA21	DALI Dimming 1.0%
DA30	DSI/switchDim <sup>1</sup>

## Additional Information

<sup>1</sup> Not available in North America

**G** SPECIFY SUSPENSION

**SS2** Vertical, remote driver

**H** SPECIFY FIXTURE FINISH

**FA01** White  
**FA20** Silver Metallic  
**FA25** Gold Metallic  
**FA44** Midnight Blue Metallic - Textured  
**FA45** Copper Metallic  
**FA46** Charcoal Metallic - Textured  
**FA47** Bronze Metallic - Textured  
**FA50** Black Metallic - Textured  
**FA52** Champagne Metallic  
**FA53** Red Metallic - Textured

**I** SPECIFY CANOPY FINISH

**CF01** White  
**CF20** Silver Metallic  
**CF25** Gold Metallic  
**CF44** Midnight Blue Metallic - Textured  
**CF45** Copper Metallic  
**CF46** Charcoal Metallic - Textured  
**CF47** Bronze Metallic - Textured  
**CF50** Black Metallic - Textured  
**CF52** Champagne Metallic  
**CF53** Red Metallic - Textured

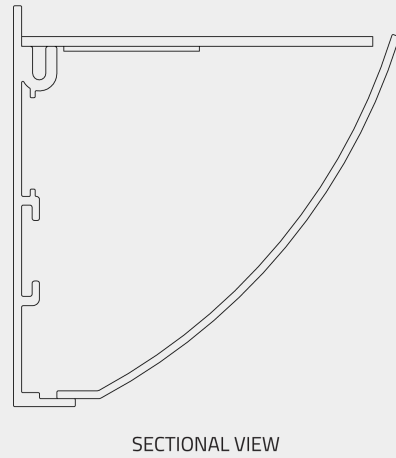
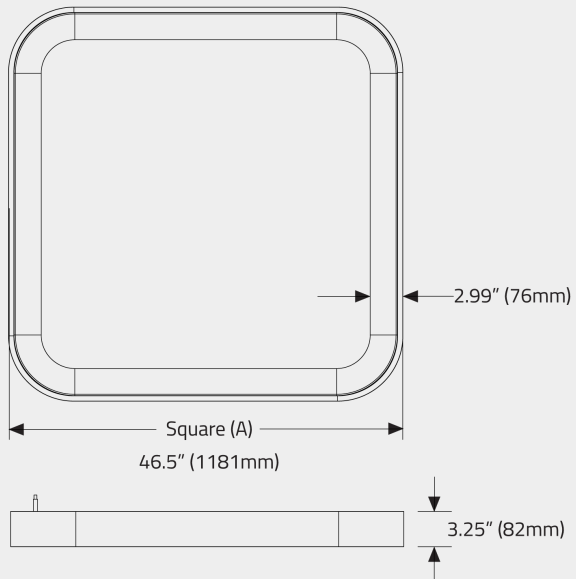
**J** SPECIFY EMERGENCY

**E0** Not required  
**E2** Emergency system - Remote

## EXAMPLE CODE

FTQP1P04/LMA84/CR80/CTA35/V1/DA01/SS2/FA44/CF01/E0

## DIMENSIONAL DIAGRAMS



## APPROVALS

